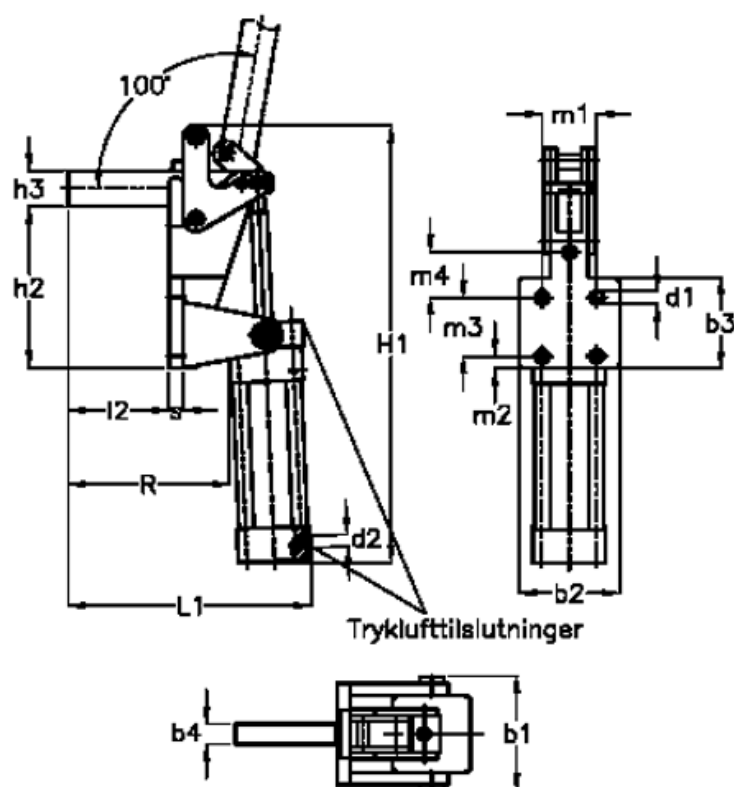


Article number: 201372118

Description: E+G Klee pneumatically operated clamp
GN 863-2000-EPV-M with magnetic piston

Measures



b1	= 112	h2	= 157	m3	= 58
b2	= 100	h3	= 35	m4	= 45
b3	= 90	Holding force N	= 20000	r	= 168.5
b4	= 20	Hose connector	= 10	s	= 14
Clamping force at 4 bar	= 4320	l1	= 246.5	Size	= 2000
d1	= 13.0	l2	= 100		
d2	= G 3/8	m1	= 54		
h1	= 425	m2	= 12		